

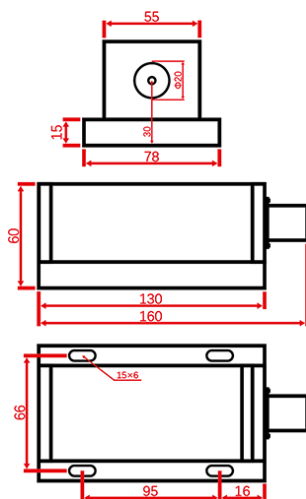
## 1870nm Infrared Diode Laser



### †Specifications

|  |  |
|--|--|
| Product Code                             | SSL - 1870 - XXXX - XXM - D              |
| Wavelength [ nm ]                        | 1870 ±10                                 |
| Output Power [ mW ]                      | 1 - 500                                  |
| Transverse Mode                          | TE <sub>00</sub> / CW                    |
| Operating Temperature [ °C ]             | +10 - +35                                |
| Storage Temperatures [ °C ]              | -10 - +45                                |
| Warm-up Time [ minutes ]                 | < 5                                      |
| Power Stability [ rms, over 4 hours ]    | 5%, 3%, 1%                               |
| M <sup>2</sup> Factor                    | < 15                                     |
| Beam Diameter At The Aperture [ mm ]     | ~ 4.0 × 6.0                              |
| Beam Divergence, Full Angle [ mrad ]     | < 2.5                                    |
| Spectral Linewidth [ nm ]                | < 1.0                                    |
| Polarization Ratio                       | > 50 : 1                                 |
| Point Stability After Warm-up [ mrad ]   | < 0.05                                   |
| Noise of Amplitude [ rms ]               | < 30%                                    |
| Modulation [ TTL or Analog Alternative ] | Standard 10KHz, Up to 40KHz need request |
| Laser Head Dimensions [ mm ]             | 160 [L] × 78 [W] × 60 [H]                |
| Power Supply Dimensions [ mm ]           | 235 [L] × 145 [W] × 100 [H]              |
| Working Voltage [ VAC ]                  | 85~245, 50/60Hz                          |
| Laser Gross Weight [ kg ]                | 3.0                                      |
| Cooling Way                              | Cooled by TEC and air                    |
| Expected Lifetime [ hours ]              | > 10000                                  |
| Warranty Time [ year ]                   | 1  |

**Laser Head Dimension:**



**Power Supply Dimension:**

