

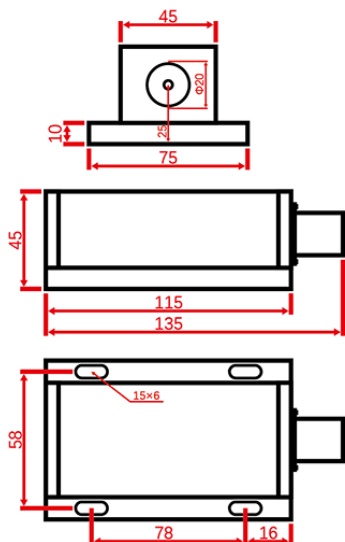
520nm Green Diode Low Noise Laser



†**Specifications**

Product Code	SSL - 520 - XXXX - LN - LED	
Wavelength [nm]	520 ±3	
Output Power [mW] [0 - Max Adjustable]	1 - 100	1 - 1000
Transverse Mode	TEM ₀₀ / CW	TE ₀₀ / CW
Operating Temperature [°C]	+10 - +35	
Storage Temperatures [°C]	-10 - +45	
Warm-up Time [minutes]	< 5	
Power Stability [rms, over 4 hours]	5%, 3%, 1%	
M ² Factor	< 2.0	< 5
Beam Diameter At The Aperture [mm]	~ 2.5	~ 3.0 × 2.0
Beam Divergence, Full Angle [mrad]	< 1.0	< 1.2
Spectral Linewidth [nm]	< 1.0	
Polarization Ratio	> 50 : 1	
Point Stability After Warm-up [mrad]	< 0.05	
Noise of Amplitude [rms]	< 1%	
Laser Head Dimensions [mm]	135 [L] × 75 [W] × 45 [H]	
Power Supply Dimensions [mm]	140 [L] × 140 [W] × 85 [H]	
Working Voltage [VAC]	85~245, 50/60Hz	
Laser Gross Weight [kg]	2.0	
Cooling Way	Cooled by TEC and air	
Expected Lifetime [hours]	> 10000	
Warranty Time [year]	1	

Laser Head Dimension:



Power Supply Dimension:

