

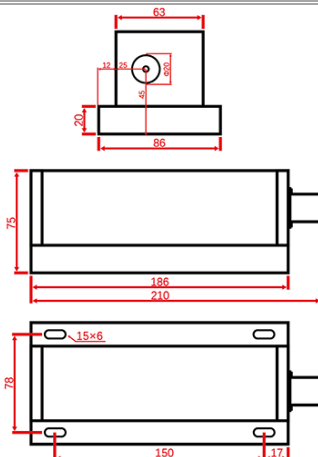
355nm Ultraviolet DPSS Q-Switched Pulsed Laser



†Specifications

Product Code	SSL - 355 - XXXX - XXM - Q	
Wavelength [nm]	355	
Average Power [mW] =	1 - 200 (Single Pulse Energy [μ J] \times Rep. rate [kHz])	
Transverse Mode / Operating Mode	TEM ₀₀ / Q-Switched Pulsed	
Single Pulse Energy [μJ]	0.1 - 20.0	
Pulse Duration [ns]	~ 8	
Peak Power [W]	~ 1000	
Operating Temperature [°C]	+10 - +35	
Storage Temperatures [°C]	-10 - +45	
Warm-up Time [minutes]	< 15	
Power Stability [rms, over 4 hours]	5%, 3%, 1%	
M² Factor	< 1.5	
Beam Diameter At The Aperture [mm]	~ 2.0	
Beam Divergence, Full Angle [mrad]	< 1.5	
Noise of Amplitude [rms]	< 30%	
Rep. rate [kHz]	Controllable	Specified One rep. rate, such as 1k, 2k, 3k, up to 4kHz, with stable laser pulses emitting (stable pulse energy, peak, duration and period) Different rep. rate in the range of 1Hz-4kHz can be obtained by input an external TTL signal
	Uncontrollable	Undefined rep. rate among 5k-20kHz and unstable laser pulse emitting. Suitable for the applications only needing high peak power pulses.
Laser Head Dimensions [mm]	210 [L] \times 86 [W] \times 75 [H]	
Power Supply Dimensions [mm]	235 [L] \times 145 [W] \times 100 [H]	
Working Voltage [VAC]	85~245, 50/60Hz	
Laser Gross Weight [kg]	4.0	
Cooling Way	Cooled by TEC and air	
Expected Lifetime [hours]	> 10000	
Warranty Time	1 year	

Laser Head Dimension:



Power Supply Dimension:

