

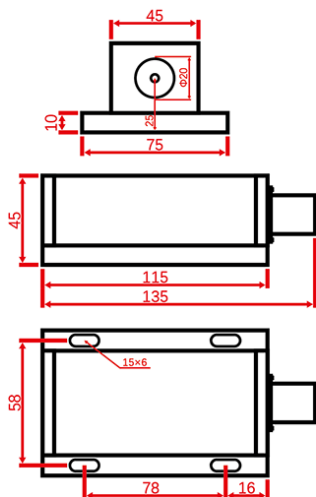
380nm Ultraviolet Diode Laser



†Specifications

Product Code	SSL - 380 - XXXX - XXM - D - LED
Wavelength [nm]	380 ±5
Output Power [mW] [0 - Max Adjustable]	1 - 300
Transverse Mode	TE ₀₀ / CW
Operating Temperature [°C]	+10 - +35
Storage Temperatures [°C]	-10 - +45
Warm-up Time [minutes]	< 5
Power Stability [rms, over 4 hours]	< 5%, < 3%, < 1%
M ² Factor	< 5
Beam Diameter At The Aperture [mm]	~ 2.0 × 3.0
Beam Divergence, Full Angle [mrad]	~ 1.5
Spectral Linewidth [nm]	< 1.0
Polarization Ratio	> 50 : 1
Point Stability After Warm-up [mrad]	< 0.05
Noise of Amplitude [rms]	< 30%
Modulation [TTL or Analog Alternative]	Standard 10KHz, Up to 40KHz need request
Laser Head Dimensions [mm]	135 [L] × 75 [W] × 45 [H]
Power Supply Dimensions [mm]	140 [L] × 140 [W] × 85 [H]
Working Voltage [VAC]	85~245, 50/60Hz
Laser Gross Weight [kg]	2.0
Cooling Way	Cooled by TEC and air
Expected Lifetime [hours]	> 10000
Warranty Time [year]	1

Laser Head Dimension:



Power Supply Dimension:

